

AL6357

Metal Leg



Conical metal leg, available in:

Polished
AL6357P

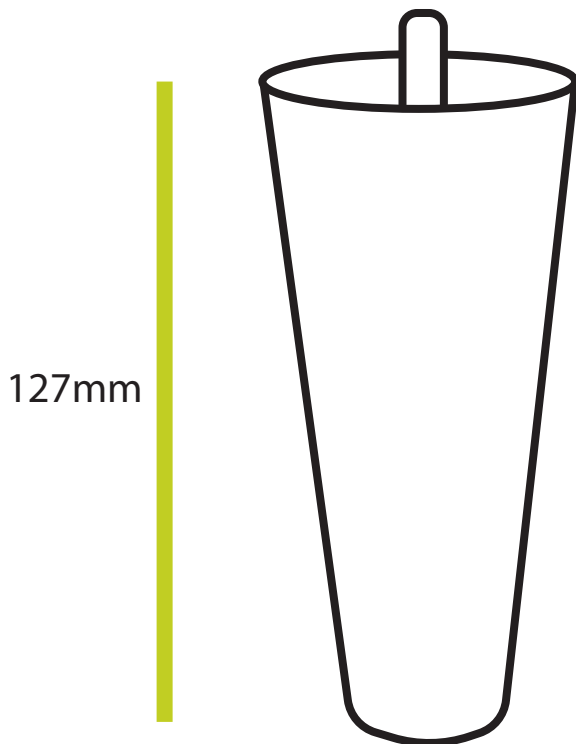
Brushed
AL6357B

Brushed Brass
AL6357BRS

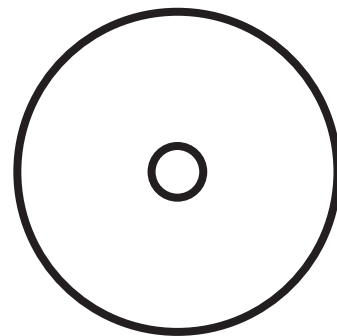
Fitted with plastic glide

M8 thread

Dimensions:
H127mm x W57mm



57mm



127mm