



CLOCKWORK
COMPONENTS

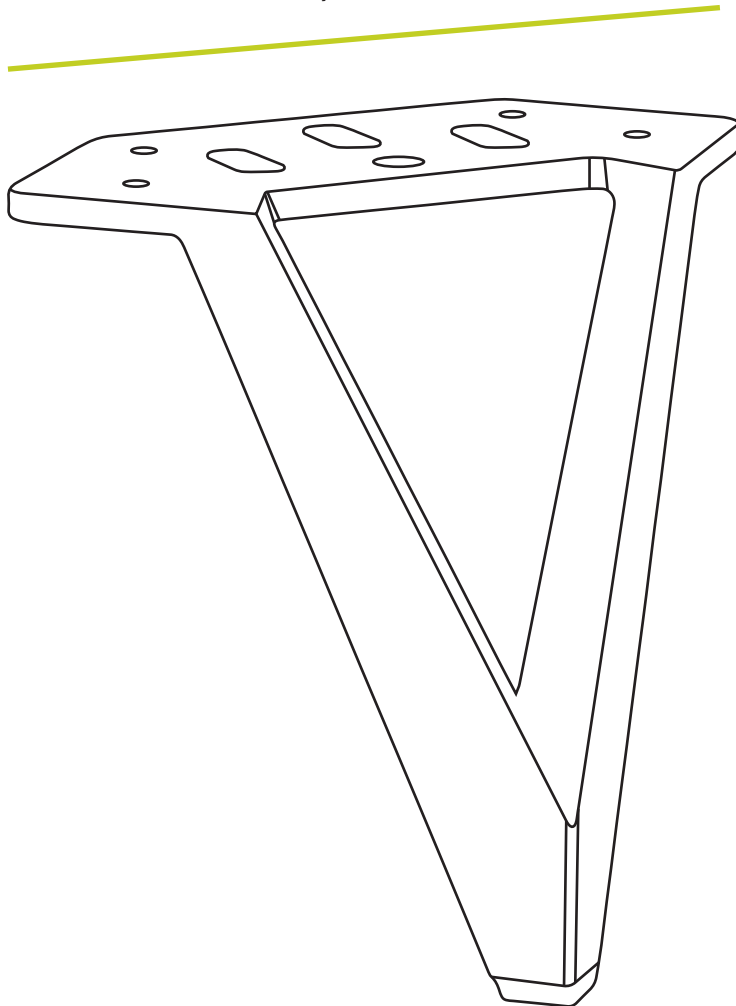
AL7578

Dimensions: H170 x W175

Angled metal leg, available in:

Grey
AL7578GR
Screw holes

175mm



170mm

Aug 2023



CLOCKWORK
COMPONENTS

CLOCKWORK COMPONENTS LTD.
T : 01993 775 767 F : 01993 892 313 E: sales@clockworkcomponents.com
www.clockworkcomponents.com

All images, photos, text and designs are protected by copyright and may be subject to additional Design Right Protection