



CLOCKWORK
COMPONENTS

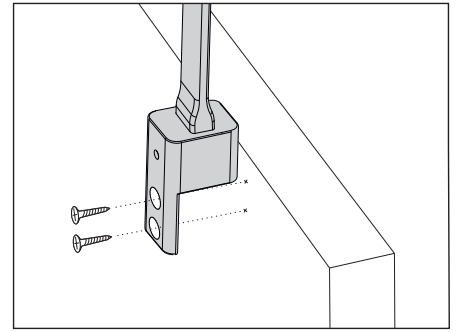
EM-LED02

LED light with USB, available in:

Corner mount fixing

EM-LED02CM-B
Black
Screw holes

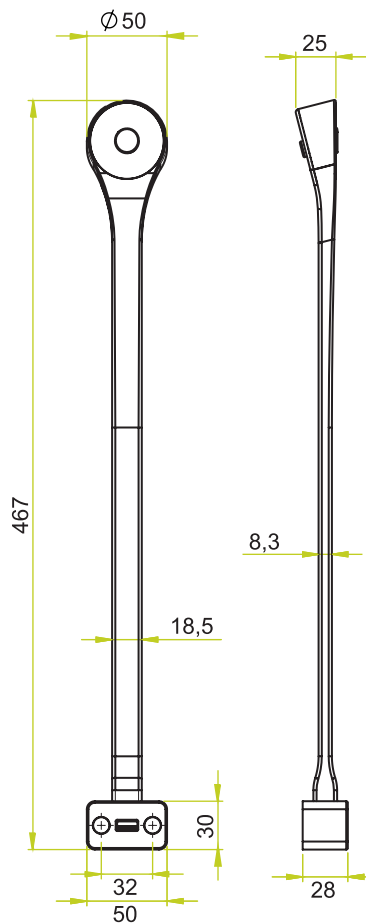
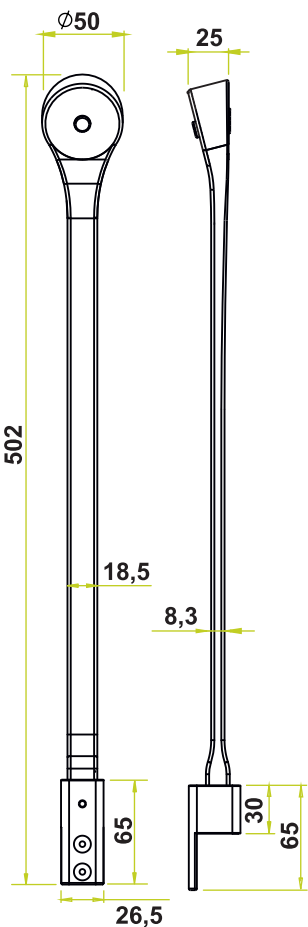
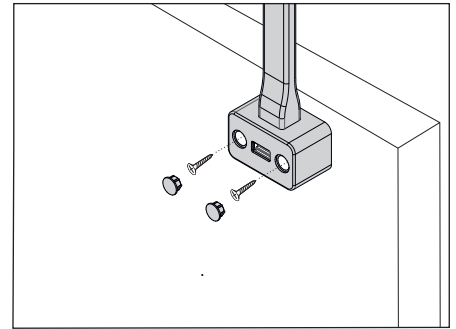
EM-LED02CM-W
White
Screw holes



Surface mount fixing

EM-LED02SM-B
Black
Screw holes

EM-LED02SM-W
White
Screw holes



Power Supply: 12V DC

Cable length: 2 metres

Luminous Flux: 90 Lumens

Transformer (**EM-LED02-UKTFR**)
needed to power EM-LED02 lights.

EM-LED02-UKTFR supports up to 2 x
EM-LED02 lights.

May 2024



CLOCKWORK COMPONENTS LTD.
T : 01993 775 767 F : 01993 892 313 E: sales@clockworkcomponents.com
www.clockworkcomponents.com

All images, photos, text and designs are protected by copyright and may be subject to additional Design Right Protection