



CLOCKWORK  
COMPONENTS

# FIX041B

Sprung stool hinge lid, available in:

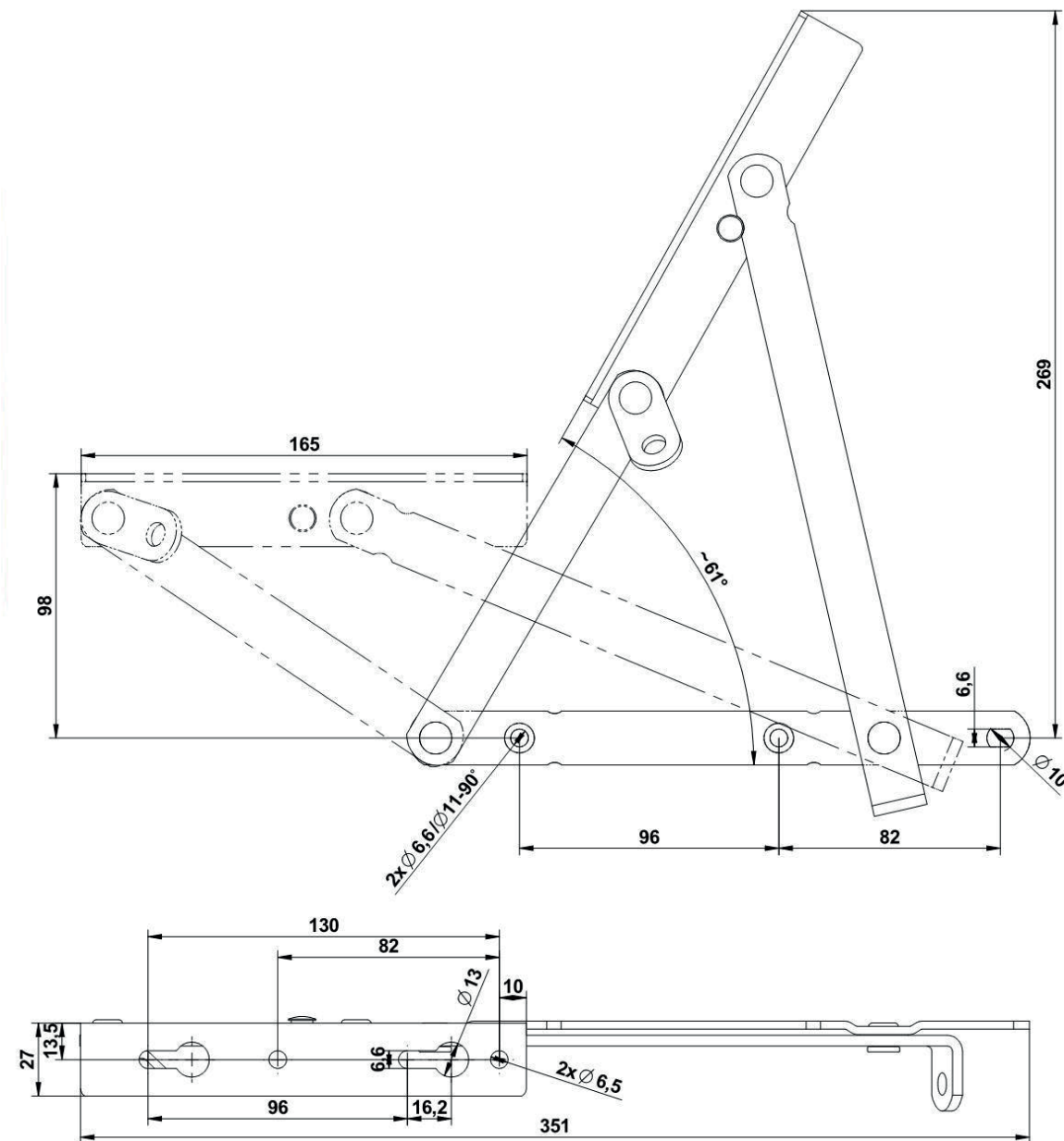
FIX041B

Strength: 100N

Finish: Zinc

Packed in: Pairs

Suitable use for - storage units, ottomans, footstools



July 2022



CLOCKWORK COMPONENTS LTD.  
T : 01993 775 767 F : 01993 892 313 E : sales@clockworkcomponents.com  
www.clockworkcomponents.com

All images, photos, text and designs are protected by copyright and may be subject to additional Design Right Protection