



CLOCKWORK
COMPONENTS

LU-CA05-51

Dimensions: H105mm x W100mm

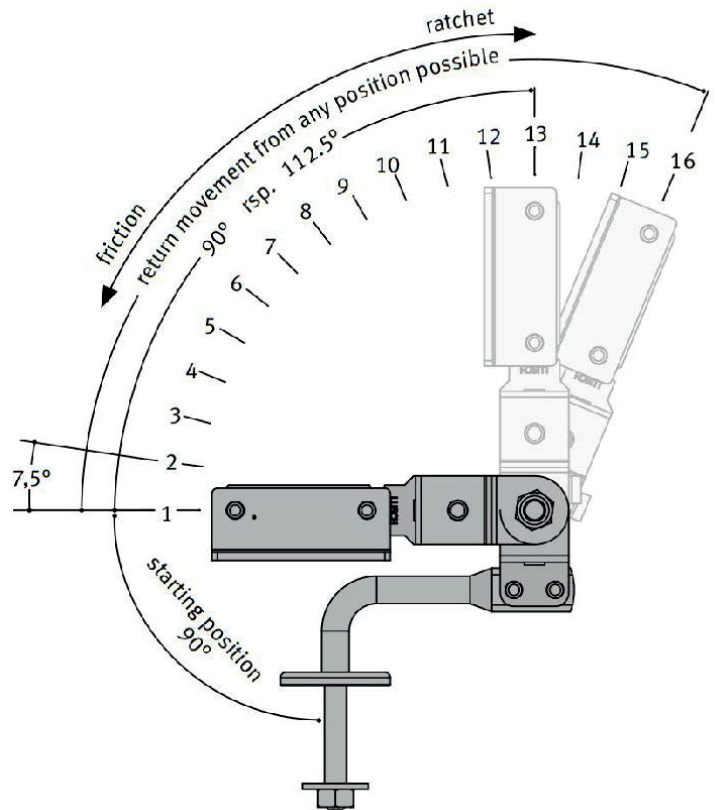
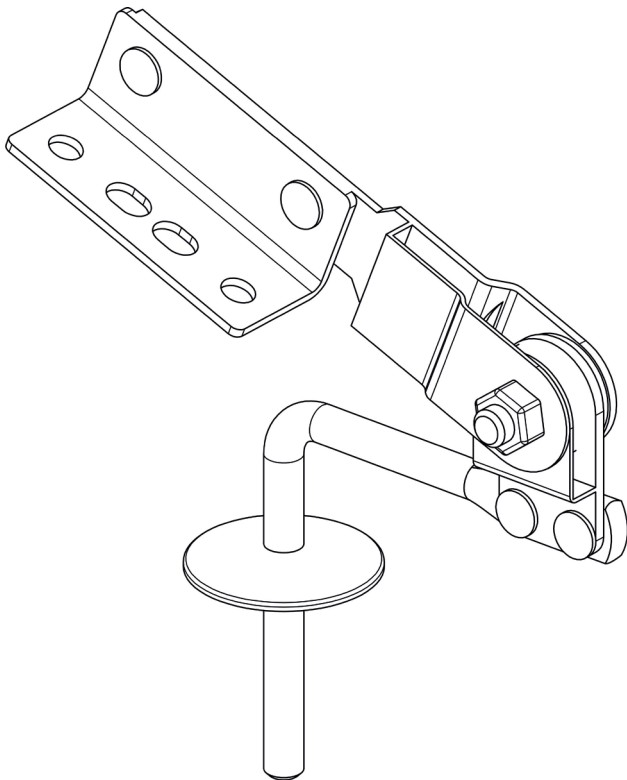
Adjustable headrest bracket

Raises precisely on a ratchet in 16 steps of 7.5 degrees

112.5 degrees total travel (or 90 degrees for CA05-50)

Lowers smoothly against a variable strength friction grip

Exposed connection is via an attractive polished steel bar and cap



May 2024



CLOCKWORK COMPONENTS LTD.
T : 01993 775 767 F : 01993 892 313 E: sales@clockworkcomponents.com
www.clockworkcomponents.com

All images, photos, text and designs are protected by copyright and may be subject to additional Design Right Protection