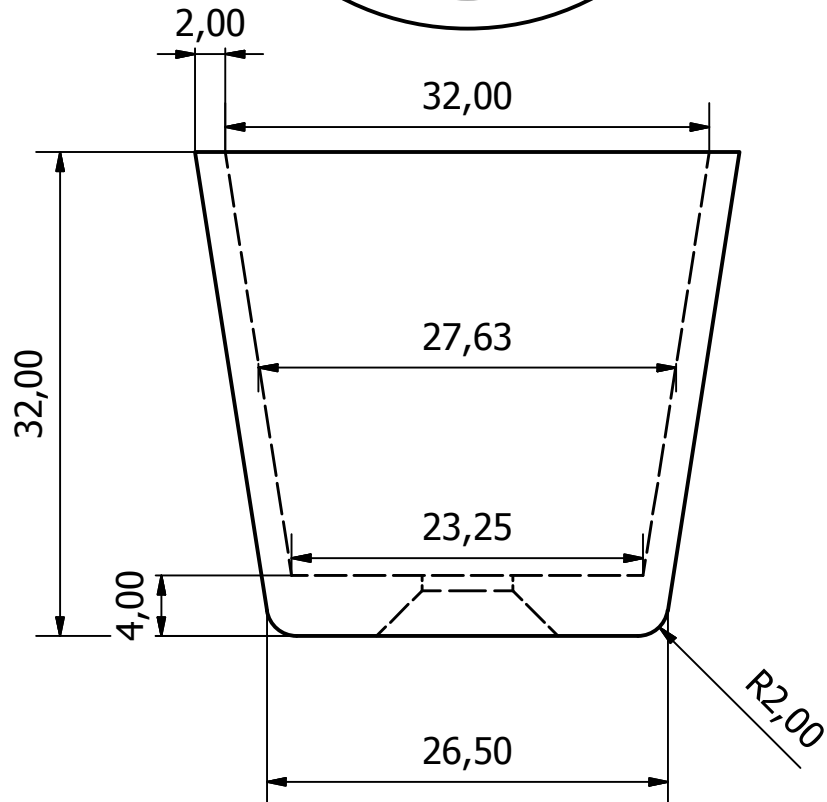



CRITICAL Ø36,00

CRITICAL: MUST BE CENTRAL!  
 ✓ Ø6,00 THRU  
 ✓ Ø12,00 X 90,00°



NOTE: CRITICAL citations  
 Countersink must be central  
 and overall Ø36mm is CRITICAL.

 CLOCKWORK COMPONENTS	Designed by Dan	Date 17/03/2014
	MN0260	
	This design and any information or descriptive matter set out hereon are confidential and the copyright property of Clockwork Components Ltd and must not be disclosed, loaned, copied or used for manufacturing, tendering or any other purpose without written permission ©	